

ID-OS-14 is standard DIL 14 oscillator capable to drive HCMOS loads as well as 10 TTL gates. A tri-state enable/disable function on pin 1 to facilitate testing with automatic test equipment is standard feature. All metal housing having pin 7 to ground can assure best shielding to minimize EMI radiation. Heavy load driving capability is also available.

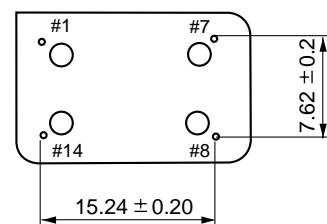
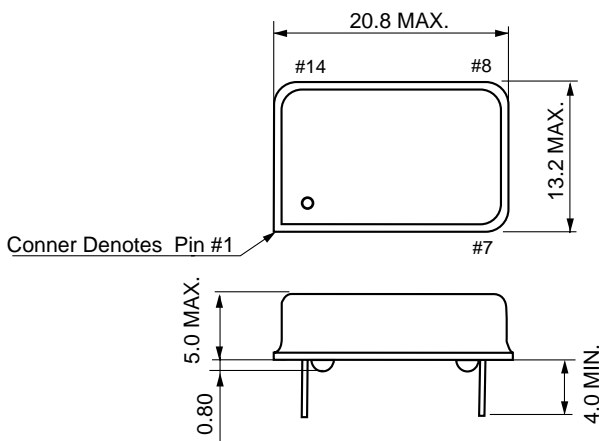
FEATURES

- 50pF HCMOS load for 1.0MHz to 106.0MHz available
- HCMOS/TTL compatible output logic
- Tri-State Enable/Disable
- Industry standard leads spacing

SPECIFICATIONS

Operating Temp.	0°C ~ +70°C
Storage Temp.	-40°C ~ +100°C
Supply Voltage	+5.0 ±0.5V
E/D Function (ID-OS-14T & ID-OS-14TV)	#1 Open - #8 Active #1 > 2.2V - #8 Active #1 < 0.8V - #8 High Z

Parameters	Conditions	Specifications			UNIT
		ID-OS-14	ID-OS-14T	ID-OS-14TV	
Type					
Frequency Range	All Conditions	1.0 ~ 106.0	1.0 ~ 106.0	1.0 ~ 106.0	MHz
Frequency Stsbility	All Conditions	± 25 (-A) ± 50 (-B) ± 100 (-C)	± 25 (-A) ± 50 (-B) ± 100 (-C)	± 25 (-A) ± 50 (-B) ± 100 (-C)	PPM
Output Load	All Conditions	10 15	10 15	10 50	TTL pF
Rise and Fall Time	HCMOS(CL=Max.)	8 Max.		6 Max.	nsec
Output Voltage	V _{OH} V _{OL}	2.4 Min. / V _{DD} - 0.5 Min. 0.4 Max. / 0.5 Max.			V
Current Consumption	1.00MHz ~ 24.9MHz	20		25	mA
	25.0MHz ~ 39.9MHz	30		35	
	40.0MHz ~ 69.9MHz	40		50	
	70.0MHz ~ 106MHz	55		65	
Output Symmetry	1.00MHz ~ 106MHz	40 : 60			%
Tri-State Output	1.00MHz ~ 106MHz	-	As shown above E/D Function	As shown above E/D Function	



Pin Connections
#1) NC or E / D
#7) GND
#8) Output
#14) V_{DD}

UNIT : mm