

2MHz, Operational Transconductance Amplifier (OTA)

The CA3080 and CA3080A types are Gatable-Gain Blocks which utilize the unique operational-transconductance-amplifier (OTA) concept described in Application Note AN6668, "Applications of the CA3080 and CA3080A High-Performance Operational Transconductance Amplifiers".

The CA3080 and CA3080A types have differential input and a single-ended, push-pull, class A output. In addition, these types have an amplifier bias input which may be used either for gating or for linear gain control. These types also have a high output impedance and their transconductance (g_M) is directly proportional to the amplifier bias current (I_{ABC}).

The CA3080 and CA3080A types are notable for their excellent slew rate (50V/ μ s), which makes them especially useful for multiplexer and fast unity-gain voltage followers. These types are especially applicable for multiplexer applications because power is consumed only when the devices are in the "ON" channel state.

The CA3080A's characteristics are specifically controlled for applications such as sample-hold, gain-control, multiplexing, etc.

Ordering Information

| PART NUMBER (BRAND) | TEMP. RANGE (°C) | PACKAGE | PKG. NO. |
|---------------------|------------------|-------------------------|----------|
| CA3080A | -55 to 125 | 8 Pin Metal Can | T8.C |
| CA3080AE | -55 to 125 | 8 Ld PDIP | E8.3 |
| CA3080AM (3080A) | -55 to 125 | 8 Ld SOIC | M8.15 |
| CA3080AM96 (3080A) | -55 to 125 | 8 Ld SOIC Tape and Reel | M8.15 |
| CA3080E | 0 to 70 | 8 Ld PDIP | E8.3 |
| CA3080M (3080) | 0 to 70 | 8 Ld SOIC | M8.15 |
| CA3080M96 (3080) | 0 to 70 | 8 Ld SOIC Tape and Reel | M8.15 |

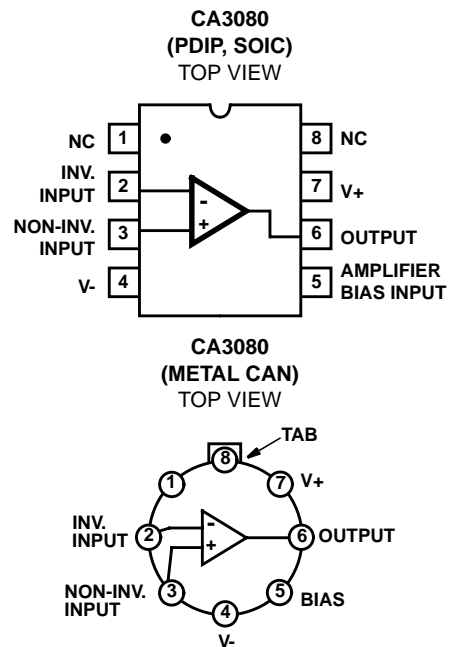
Features

- Slew Rate (Unity Gain, Compensated). 50V/ μ s
- Adjustable Power Consumption. 10 μ W to 30 μ W
- Flexible Supply Voltage Range. \pm 2V to \pm 15V
- Fully Adjustable Gain 0 to $g_M R_L$ Limit
- Tight g_M Spread:
 - CA3080. 2:1
 - CA3080A 1.6:1
- Extended g_M Linearity 3 Decades

Applications

- Sample and Hold
- Multiplexer
- Voltage Follower
- Multiplier
- Comparator

Pinouts



CA3080, CA3080A

Absolute Maximum Ratings

| | |
|---|---------------|
| Supply Voltage (Between V+ and V- Terminal) | 36V |
| Differential Input Voltage | 5V |
| Input Voltage | V+ to V- |
| Input Signal Current | 1mA |
| Amplifier Bias Current (I _{ABC}) | 2mA |
| Output Short Circuit Duration (Note 1) | No Limitation |

Operating Conditions

| | |
|-------------------|----------------|
| Temperature Range | |
| CA3080 | 0°C to 70°C |
| CA3080A | -55°C to 125°C |

CAUTION: Stresses above those listed in "Absolute Maximum Ratings" may cause permanent damage to the device. This is a stress only rating and operation of the device at these or any other conditions above those indicated in the operational sections of this specification is not implied.

NOTES:

- Short circuit may be applied to ground or to either supply.
- θ_{JA} is measured with the component mounted on an evaluation PC board in free air.

Thermal Information

| | | |
|--|-------------------------------|----------------------|
| Thermal Resistance (Typical, Note 2) | θ_{JA} (°C/W) | θ_{JC} (°C/W) |
| PDIP Package | 130 | N/A |
| SOIC Package | 170 | N/A |
| Metal Can Package | 200 | 120 |
| Maximum Junction Temperature (Metal Can) | 175°C | |
| Maximum Junction Temperature (Plastic Package) | 150°C | |
| Maximum Storage Temperature Range | -65°C to 150°C | |
| Maximum Lead Temperature (Soldering 10s) | 300°C (SOIC - Lead Tips Only) | |

Electrical Specifications For Equipment Design, V_{SUPPLY} = ±15V, Unless Otherwise Specified

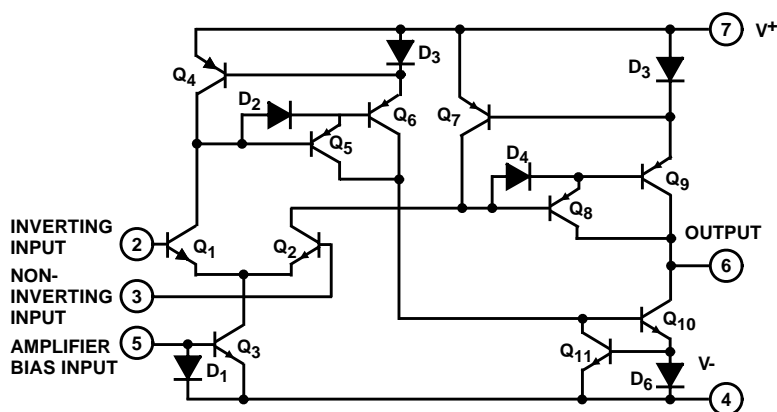
| PARAMETER | TEST CONDITIONS | TEMP | CA3080 | | | CA3080A | | | UNITS |
|---|--|------|-----------|---------------|-------|-----------|---------------|-------|-------|
| | | | MIN | TYP | MAX | MIN | TYP | MAX | |
| Input Offset Voltage | I _{ABC} = 5μA | 25 | - | 0.3 | - | - | 0.3 | 2 | mV |
| | I _{ABC} = 500μA | 25 | - | 0.4 | 5 | - | 0.4 | 2 | mV |
| | | Full | - | - | 6 | - | - | 5 | mV |
| Input Offset Voltage Change | I _{ABC} = 500μA to 5μA | 25 | - | 0.2 | - | - | 0.1 | 3 | mV |
| Input Offset Voltage Temp. Drift | I _{ABC} = 100μA | Full | - | - | - | - | 3.0 | - | μV/°C |
| Input Offset Voltage Sensitivity | I _{ABC} = 500μA | 25 | - | - | 150 | - | - | 150 | μV/V |
| | | 25 | - | - | 150 | - | - | 150 | μV/V |
| Input Offset Current | I _{ABC} = 500μA | 25 | - | 0.12 | 0.6 | - | 0.12 | 0.6 | μA |
| Input Bias Current | I _{ABC} = 500μA | 25 | - | 2 | 5 | - | 2 | 5 | μA |
| | | Full | - | - | 7 | - | - | 15 | μA |
| Differential Input Current | I _{ABC} = 0, V _{DIFF} = 4V | 25 | - | 0.008 | - | - | 0.008 | 5 | nA |
| Amplifier Bias Voltage | I _{ABC} = 500μA | 25 | - | 0.71 | - | - | 0.71 | - | V |
| Input Resistance | I _{ABC} = 500μA | 25 | 10 | 26 | - | 10 | 26 | - | kΩ |
| Input Capacitance | I _{ABC} = 500μA, f = 1MHz | 25 | - | 3.6 | - | - | 3.6 | - | pF |
| Input-to-Output Capacitance | I _{ABC} = 500μA, f = 1MHz | 25 | - | 0.024 | - | - | 0.024 | - | pF |
| Common-Mode Input-Voltage Range | I _{ABC} = 500μA | 25 | 12 to -12 | 13.6 to -14.6 | - | 12 to -12 | 13.6 to -14.6 | - | V |
| Forward Transconductance (Large Signal) | I _{ABC} = 500μA | 25 | 6700 | 9600 | 13000 | 7700 | 9600 | 12000 | μS |
| | | Full | 5400 | - | - | 4000 | - | - | μS |
| Output Capacitance | I _{ABC} = 500μA, f = 1MHz | 25 | - | 5.6 | - | - | 5.6 | - | pF |
| Output Resistance | I _{ABC} = 500μA | 25 | - | 15 | - | - | 15 | - | MΩ |
| Peak Output Current | I _{ABC} = 5μA, R _L = 0Ω | 25 | - | 5 | - | 3 | 5 | 7 | μA |
| | | 25 | 350 | 500 | 650 | 350 | 500 | 650 | μA |
| | Full | 300 | - | - | 300 | - | - | μA | |

CA3080, CA3080A

Electrical Specifications For Equipment Design, $V_{SUPPLY} = \pm 15V$, Unless Otherwise Specified (Continued)

| PARAMETER | TEST CONDITIONS | TEMP | CA3080 | | | CA3080A | | | UNITS | |
|------------------------------|-----------------------------|------------------------------------|--------|------|-------|---------|------|-------|------------|---|
| | | | MIN | TYP | MAX | MIN | TYP | MAX | | |
| Peak Output Voltage | Positive | $I_{ABC} = 5\mu A, R_L = \infty$ | 25 | - | 13.8 | - | 12 | 13.8 | - | V |
| | Negative | | 25 | - | -14.5 | - | -12 | -14.5 | - | V |
| | Positive | $I_{ABC} = 500\mu A, R_L = \infty$ | 25 | 12 | 13.5 | - | 12 | 13.5 | - | V |
| | Negative | | 25 | -12 | -14.4 | - | -12 | -14.4 | - | V |
| Amplifier Supply Current | $I_{ABC} = 500\mu A$ | 25 | 0.8 | 1 | 1.2 | 0.8 | 1 | 1.2 | mA | |
| Device Dissipation | $I_{ABC} = 500\mu A$ | 25 | 24 | 30 | 36 | 24 | 30 | 36 | mW | |
| Magnitude of Leakage Current | $I_{ABC} = 0, V_{TP} = 0$ | 25 | - | 0.08 | - | - | 0.08 | 5 | nA | |
| | $I_{ABC} = 0, V_{TP} = 36V$ | 25 | - | 0.3 | - | - | 0.3 | 5 | nA | |
| Propagation Delay | $I_{ABC} = 500\mu A$ | 25 | - | 45 | - | - | 45 | - | ns | |
| Common-Mode Rejection Ratio | $I_{ABC} = 500\mu A$ | 25 | 80 | 110 | - | 80 | 110 | - | dB | |
| Open-Loop Bandwidth | $I_{ABC} = 500\mu A$ | 25 | - | 2 | - | - | 2 | - | MHz | |
| Slew Rate | Uncompensated | 25 | - | 75 | - | - | 75 | - | V/ μs | |
| | Compensated | 25 | - | 50 | - | - | 50 | - | V/ μs | |

Schematic Diagram



Typical Applications

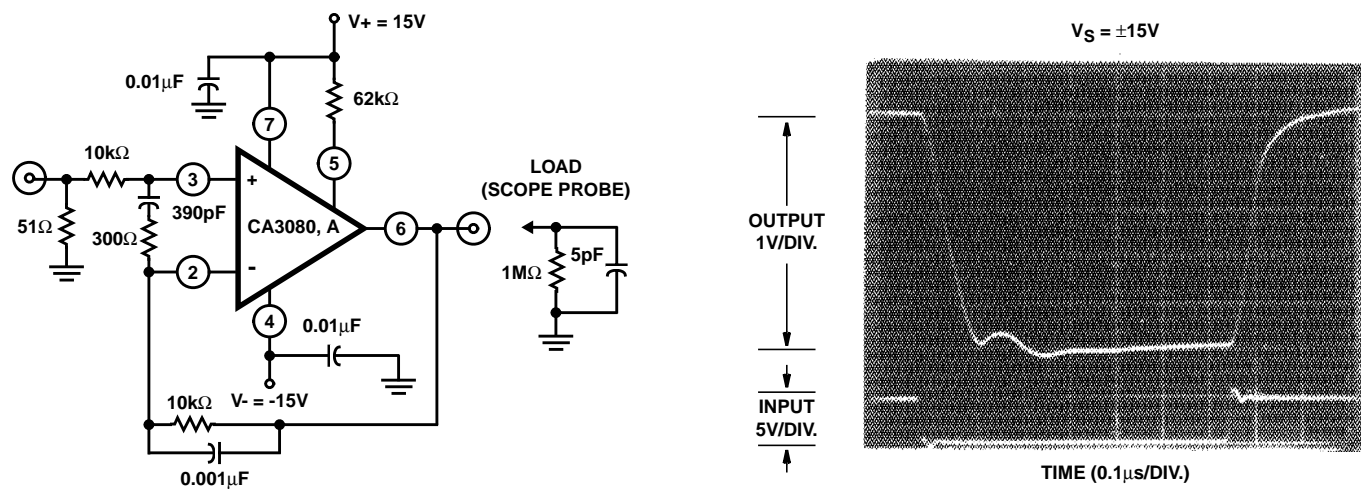


FIGURE 1. SCHEMATIC DIAGRAM OF THE CA3080 AND CA3080A IN A UNITY-GAIN VOLTAGE FOLLOWER CONFIGURATION AND ASSOCIATED WAVEFORM

Typical Applications (Continued)

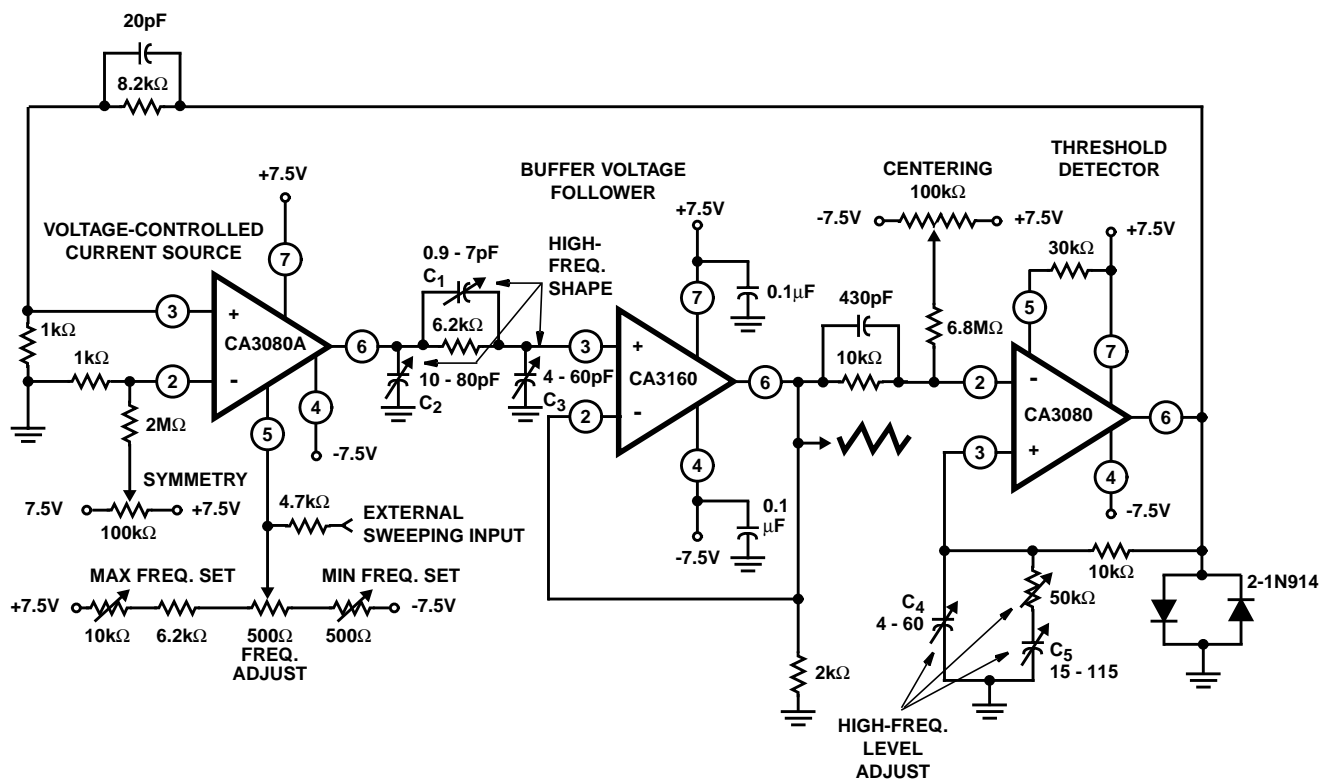
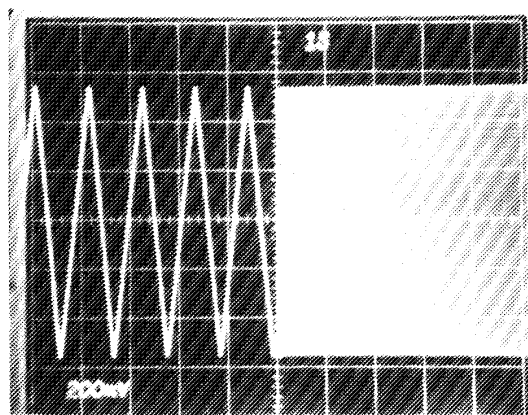
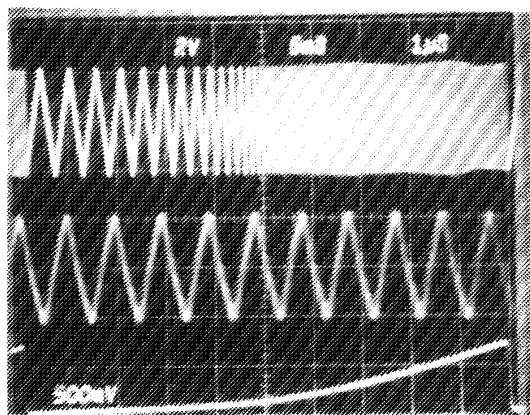


FIGURE 2. 1,000,000/1 SINGLE-CONTROL FUNCTION GENERATOR - 1MHz TO 1Hz



NOTE: A Square-Wave Signal Modulates The External Sweeping Input to Produce 1Hz and 1MHz, showing the 1,000,000/1 frequency range of the function generator.

FIGURE 3A. TWO-TONE OUTPUT SIGNAL FROM THE FUNCTION GENERATOR



NOTE: The bottom trace is the sweeping signal and the top trace is the actual generator output. The center trace displays the 1MHz signal via delayed oscilloscope triggering of the upper swept output signal.

FIGURE 3B. TRIPLE-TRACE OF THE FUNCTION GENERATOR SWEEPING TO 1MHz

FIGURE 3. FUNCTION GENERATOR DYNAMIC CHARACTERISTICS WAVEFORMS

Typical Applications (Continued)

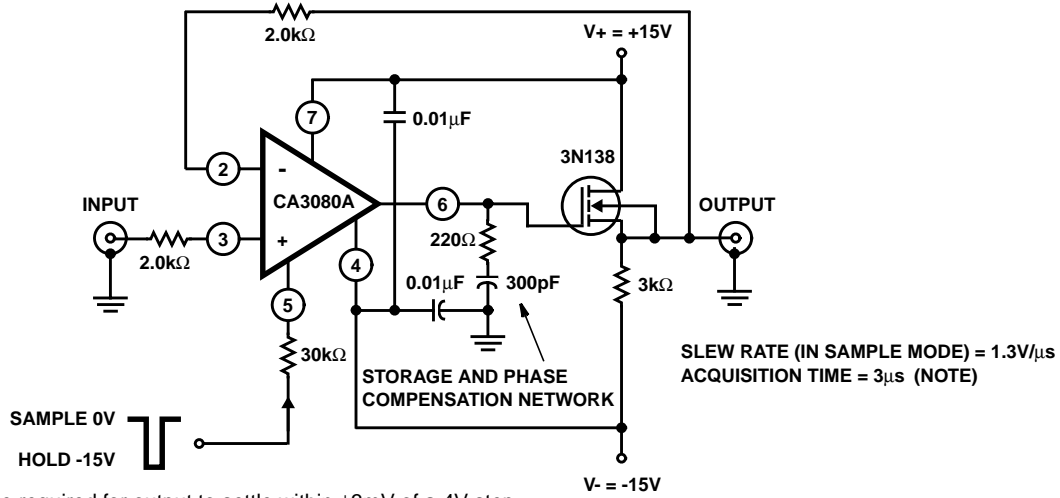


FIGURE 4. SCHEMATIC DIAGRAM OF THE CA3080A IN A SAMPLE-HOLD CONFIGURATION

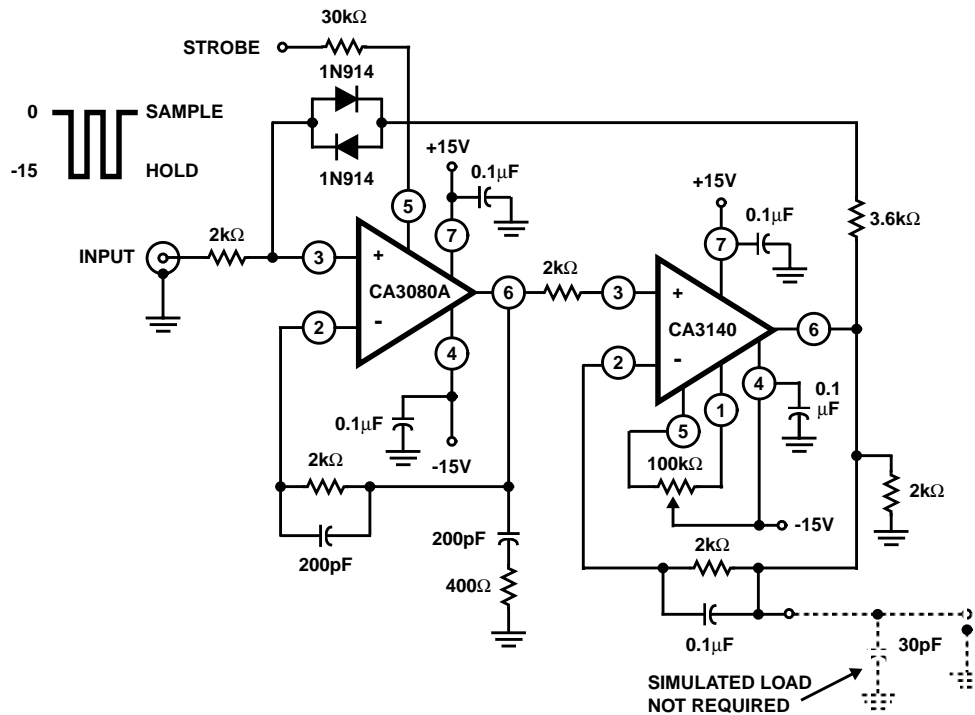
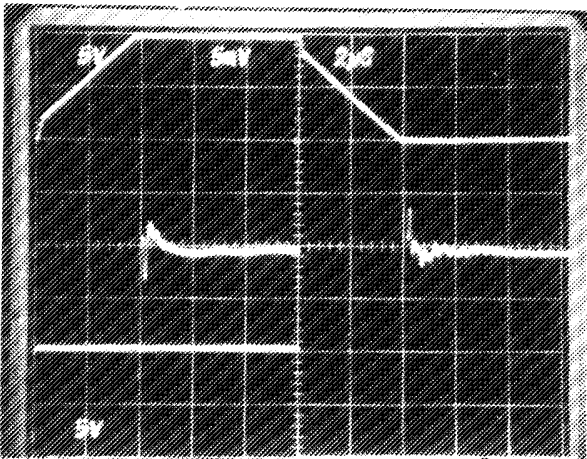


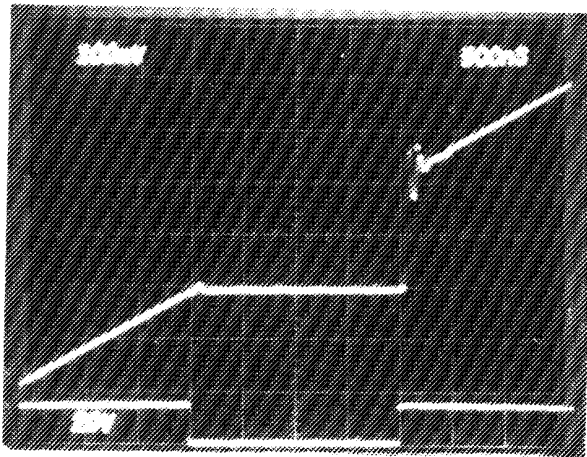
FIGURE 5. SAMPLE AND HOLD CIRCUIT

Typical Applications (Continued)



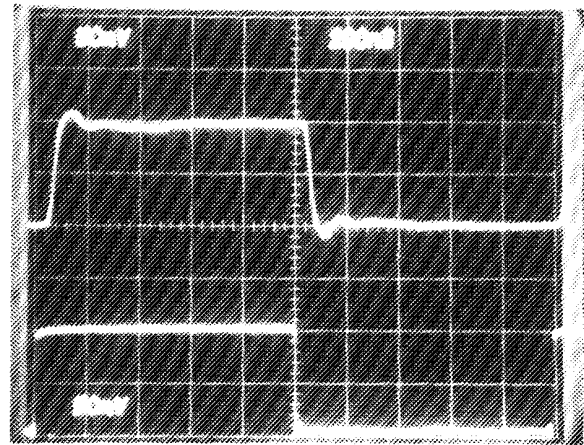
Top Trace: Output Signal
5V/Div., 2 μ s/Div.
Bottom Trace: Input Signal
5V/Div., 2 μ s/Div.
Center Trace: Difference of Input and Output Signals Through
Tektronix Amplifier 7A13
5mV/Div., 2 μ s/Div.

FIGURE 6. LARGE SIGNAL RESPONSE AND SETTLING TIME FOR CIRCUIT SHOWN IN FIGURE 5



Top Trace: System Output; 100mV/Div., 500ns/Div.
Bottom Trace: Sampling Signal; 20V/Div., 500ns/Div.

FIGURE 7. SAMPLING RESPONSE FOR CIRCUIT SHOWN IN FIGURE 5



Top Trace: Output; 50mV/Div., 200ns/Div.
Bottom Trace: Input; 50mV/Div., 200ns/Div.

FIGURE 8. INPUT AND OUTPUT RESPONSE FOR CIRCUIT SHOWN IN FIGURE 5

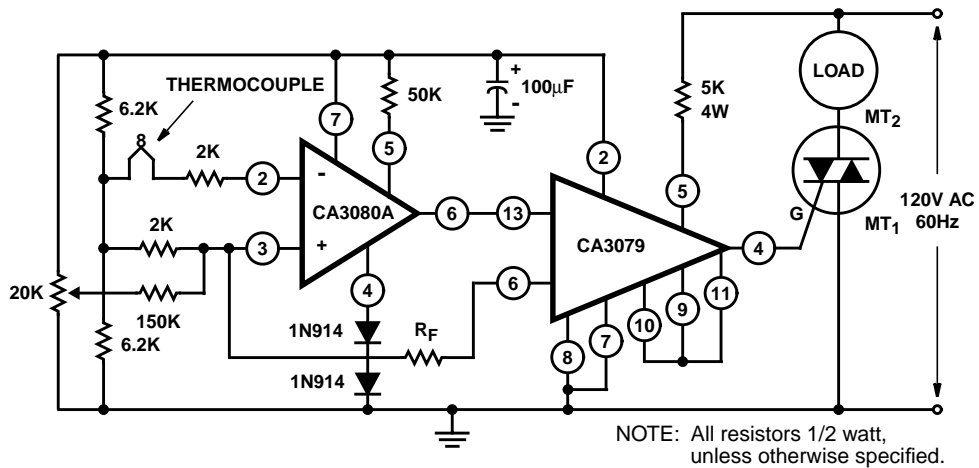


FIGURE 9. THERMOCOUPLE TEMPERATURE CONTROL WITH CA3079 ZERO VOLTAGE SWITCH AS THE OUTPUT AMPLIFIER

Typical Applications (Continued)

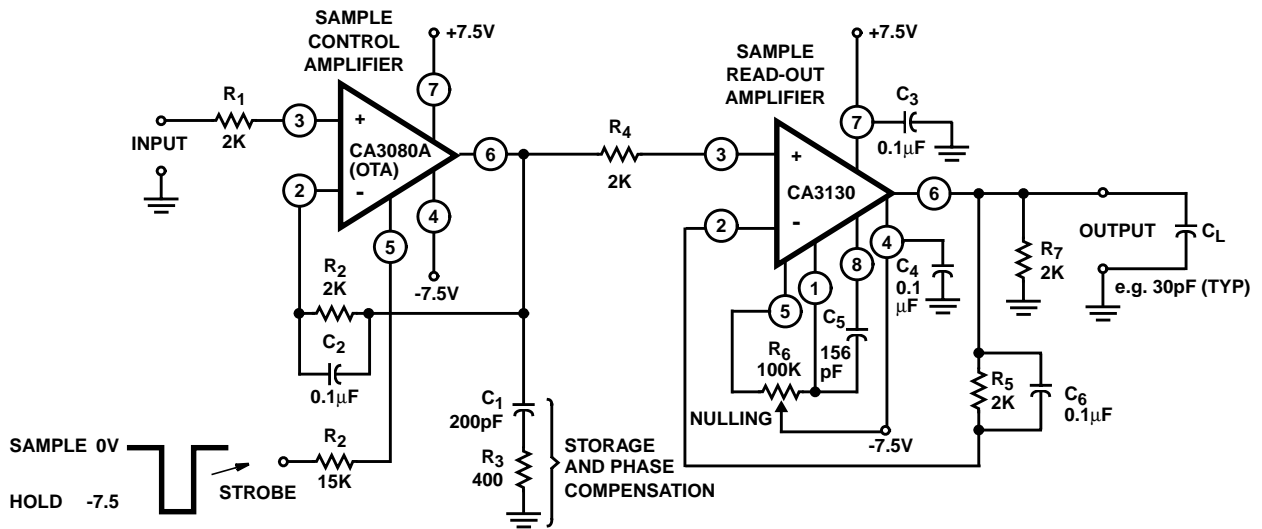
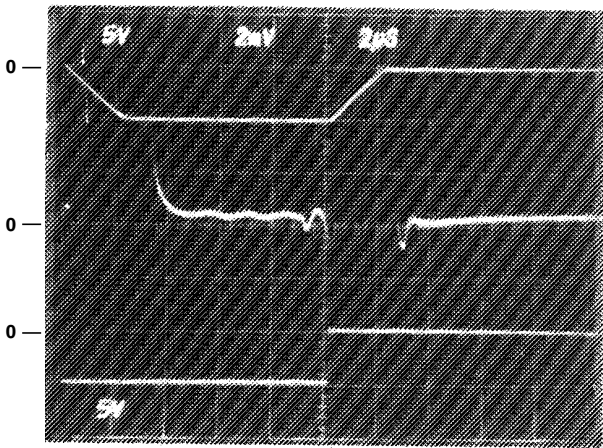
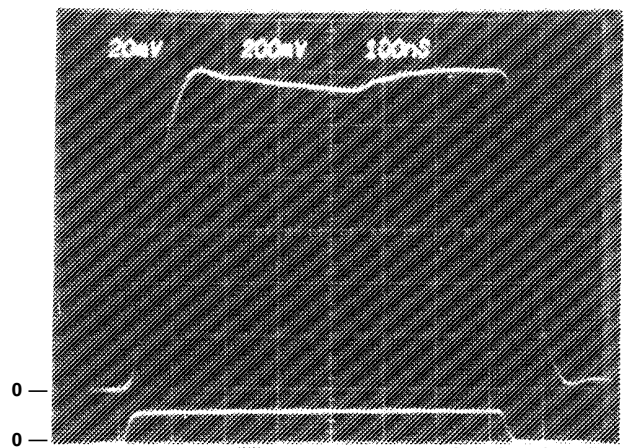


FIGURE 10. SCHEMATIC DIAGRAM OF THE CA3080A IN A SAMPLE-HOLD CIRCUIT WITH BIMOS OUTPUT AMPLIFIER



Top Trace: Output; 5V/Div., 2µs/Div.
 Center Trace: Differential Comparison of Input and Output
 2mV/Div., 2µs/Div.
 Bottom Trace: Input; 5V/Div., 2µs/Div.

FIGURE 11. LARGE-SIGNAL RESPONSE FOR CIRCUIT SHOWN IN FIGURE 10



Top Trace: Output
 20mV/Div., 100ns/Div.
 Bottom Trace: Input
 200mV/Div., 100ns/Div.

FIGURE 12. SMALL-SIGNAL RESPONSE FOR CIRCUIT SHOWN IN FIGURE 10

Typical Applications (Continued)

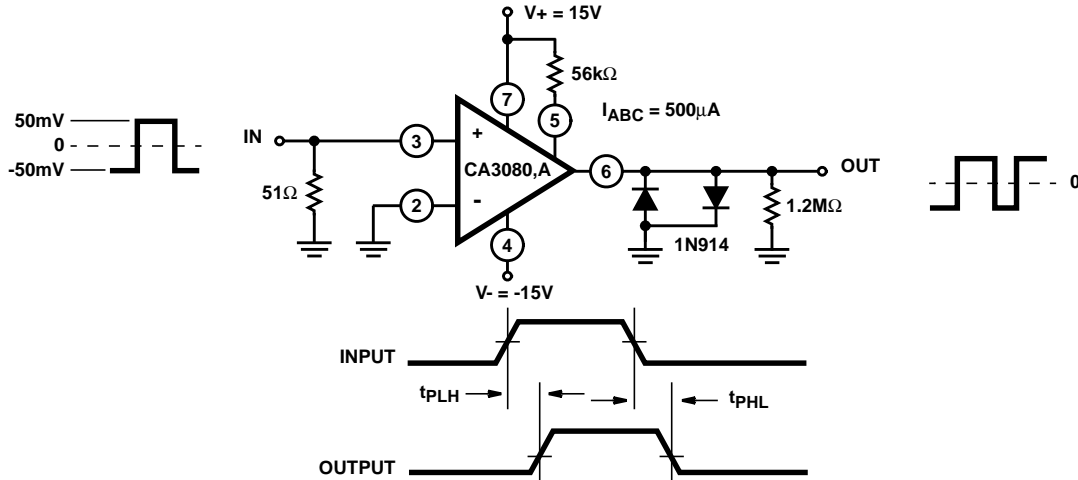


FIGURE 13. PROPAGATION DELAY TEST CIRCUIT AND ASSOCIATED WAVEFORMS

Typical Performance Curves

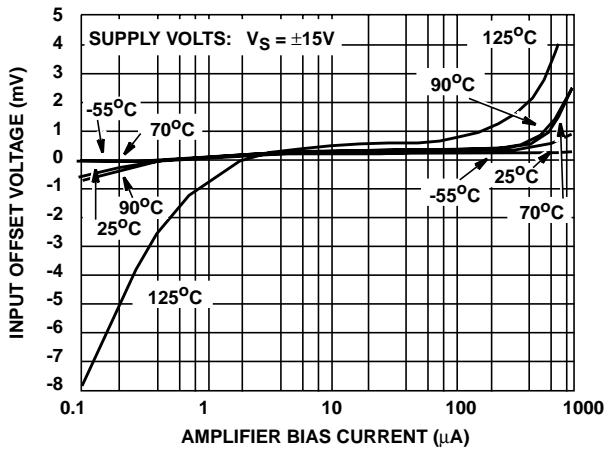


FIGURE 14. INPUT OFFSET VOLTAGE vs AMPLIFIER BIAS CURRENT

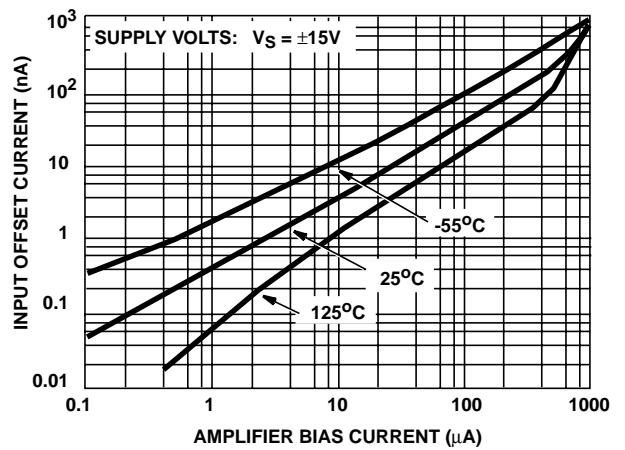


FIGURE 15. INPUT OFFSET CURRENT vs AMPLIFIER BIAS CURRENT

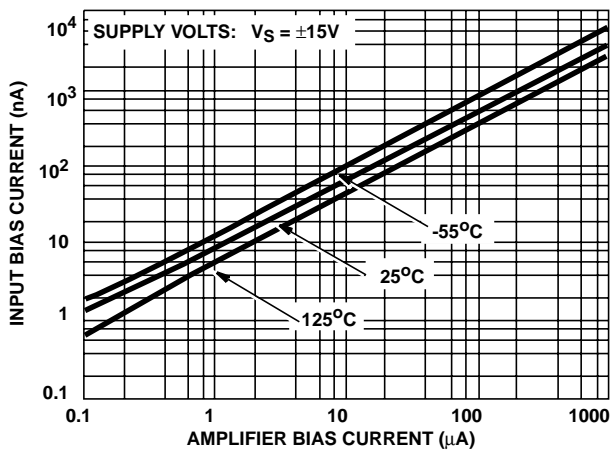


FIGURE 16. INPUT BIAS CURRENT vs AMPLIFIER BIAS CURRENT

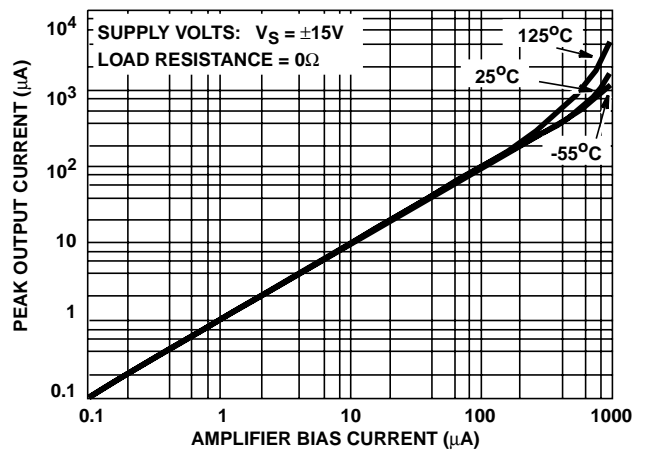


FIGURE 17. PEAK OUTPUT CURRENT vs AMPLIFIER BIAS CURRENT

Typical Performance Curves (Continued)

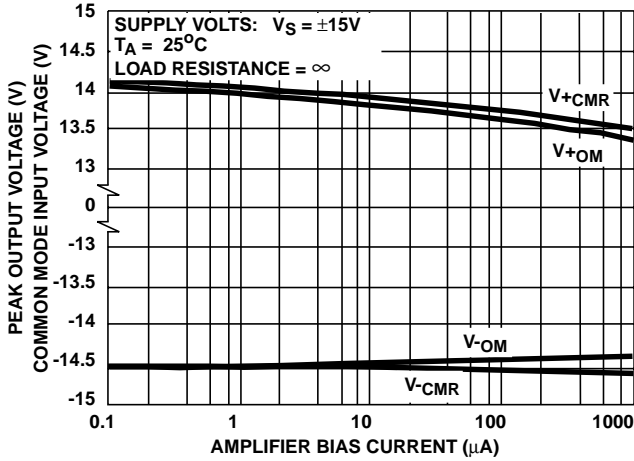


FIGURE 18. PEAK OUTPUT VOLTAGE vs AMPLIFIER BIAS CURRENT

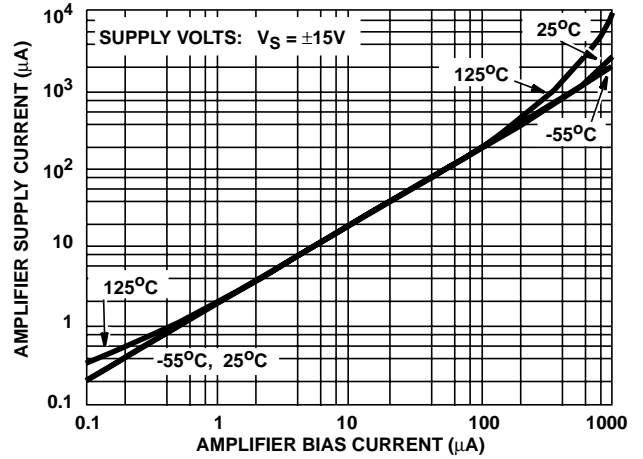


FIGURE 19. AMPLIFIER SUPPLY CURRENT vs AMPLIFIER BIAS CURRENT

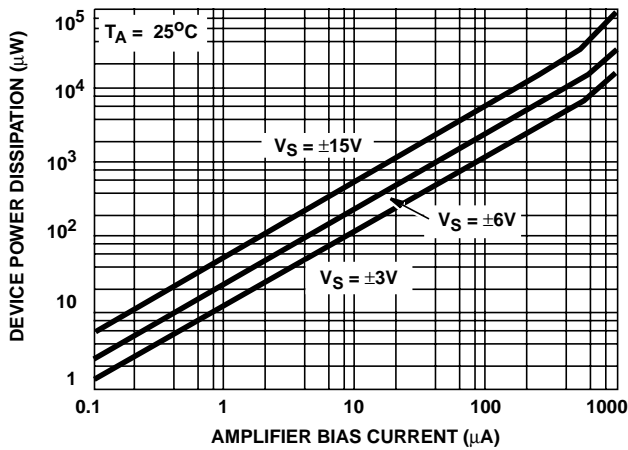


FIGURE 20. TOTAL POWER DISSIPATION vs AMPLIFIER BIAS CURRENT

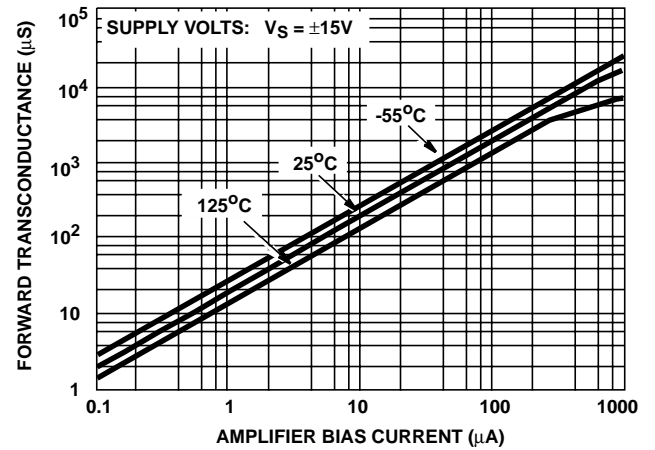


FIGURE 21. TRANSCONDUCTANCE vs AMPLIFIER BIAS CURRENT

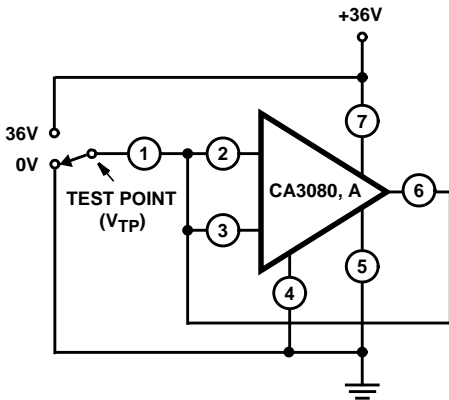


FIGURE 22. LEAKAGE CURRENT TEST CIRCUIT

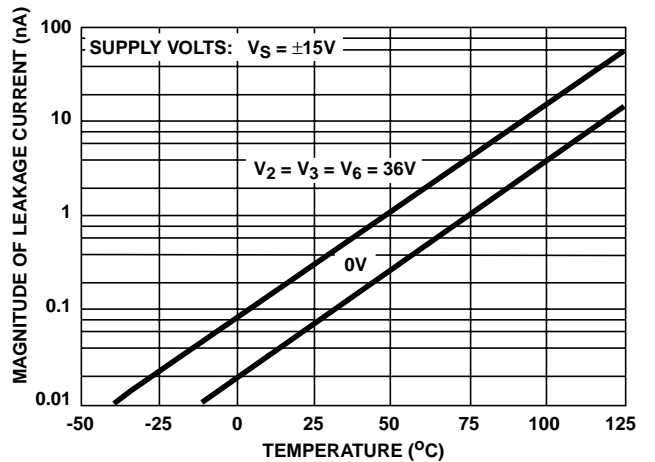


FIGURE 23. LEAKAGE CURRENT vs TEMPERATURE

Typical Performance Curves (Continued)

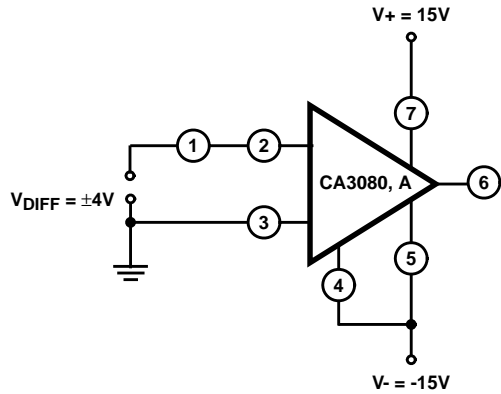


FIGURE 24. DIFFERENTIAL INPUT CURRENT TEST CIRCUIT

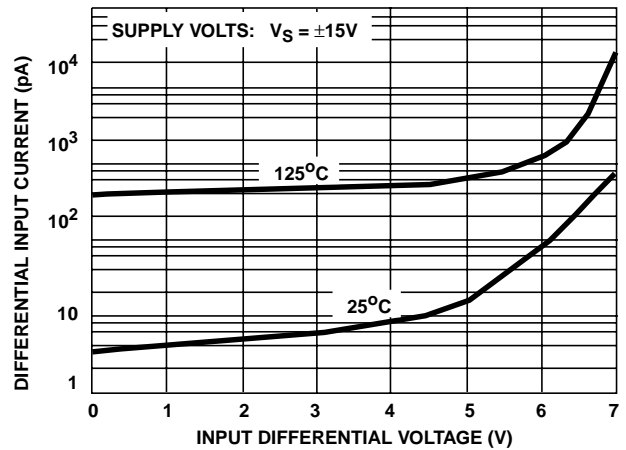


FIGURE 25. INPUT CURRENT vs INPUT DIFFERENTIAL VOLTAGE

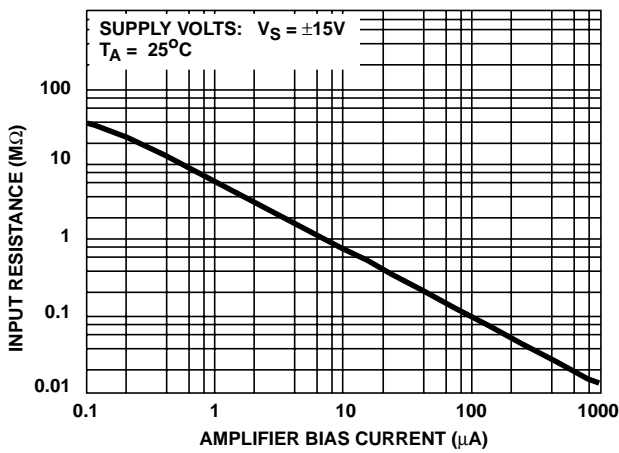


FIGURE 26. INPUT RESISTANCE vs AMPLIFIER BIAS CURRENT

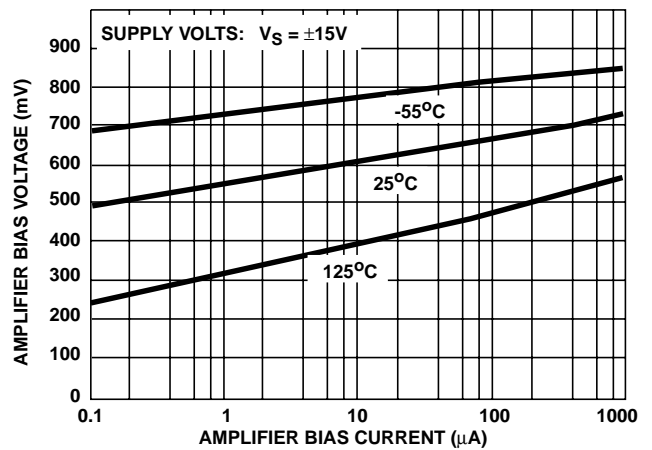


FIGURE 27. AMPLIFIER BIAS VOLTAGE vs AMPLIFIER BIAS CURRENT

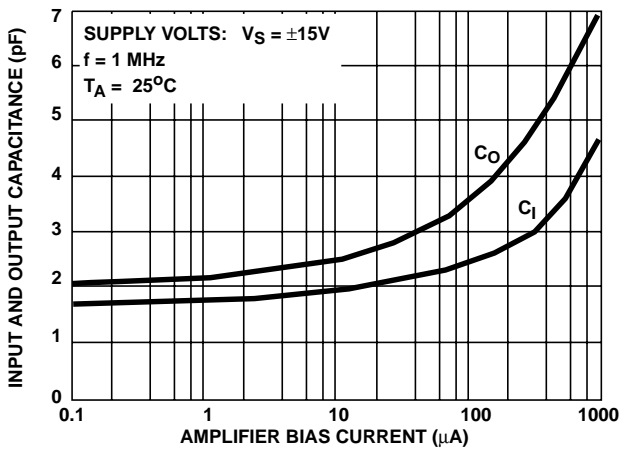


FIGURE 28. INPUT AND OUTPUT CAPACITANCE vs AMPLIFIER BIAS CURRENT

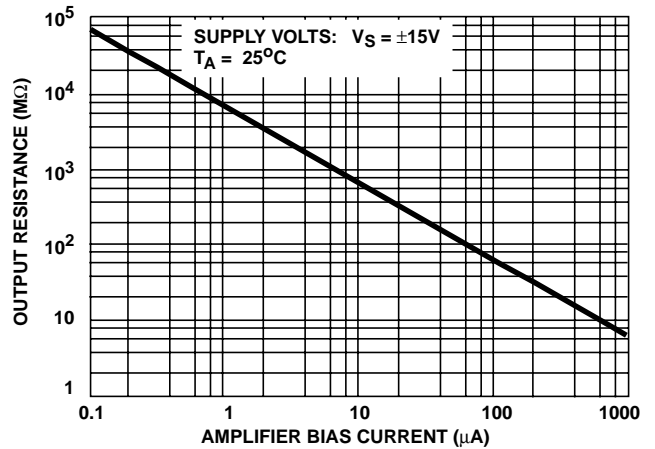


FIGURE 29. OUTPUT RESISTANCE vs AMPLIFIER BIAS CURRENT

Typical Performance Curves (Continued)

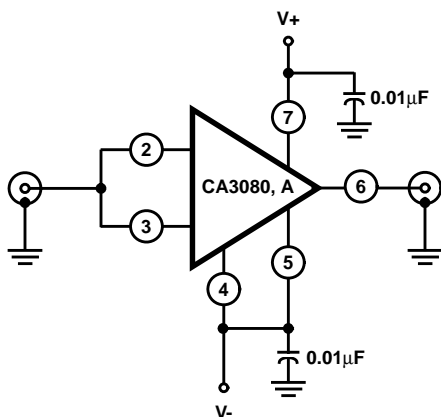


FIGURE 30. INPUT-TO-OUTPUT CAPACITANCE TEST CIRCUIT

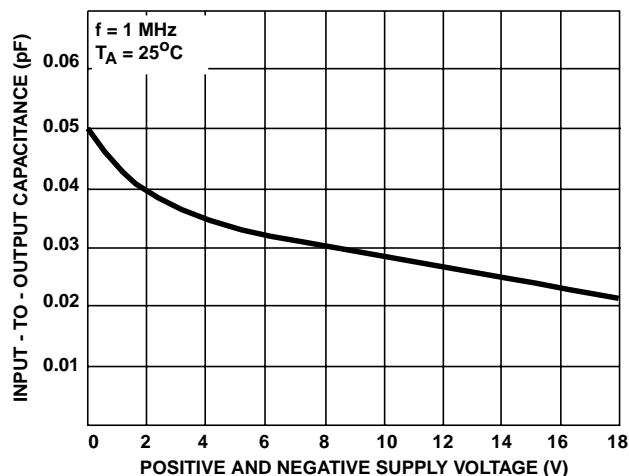


FIGURE 31. INPUT-TO-OUTPUT CAPACITANCE vs SUPPLY VOLTAGE

All Intersil semiconductor products are manufactured, assembled and tested under **ISO9000** quality systems certification.

Intersil semiconductor products are sold by description only. Intersil Corporation reserves the right to make changes in circuit design and/or specifications at any time without notice. Accordingly, the reader is cautioned to verify that data sheets are current before placing orders. Information furnished by Intersil is believed to be accurate and reliable. However, no responsibility is assumed by Intersil or its subsidiaries for its use; nor for any infringements of patents or other rights of third parties which may result from its use. No license is granted by implication or otherwise under any patent or patent rights of Intersil or its subsidiaries.

For information regarding Intersil Corporation and its products, see web site www.intersil.com

Sales Office Headquarters

NORTH AMERICA

Intersil Corporation
 P. O. Box 883, Mail Stop 53-204
 Melbourne, FL 32902
 TEL: (321) 724-7000
 FAX: (321) 724-7240

EUROPE

Intersil SA
 Mercure Center
 100, Rue de la Fusee
 1130 Brussels, Belgium
 TEL: (32) 2.724.2111
 FAX: (32) 2.724.22.05

ASIA

Intersil (Taiwan) Ltd.
 7F-6, No. 101 Fu Hsing North Road
 Taipei, Taiwan
 Republic of China
 TEL: (886) 2 2716 9310
 FAX: (886) 2 2715 3029